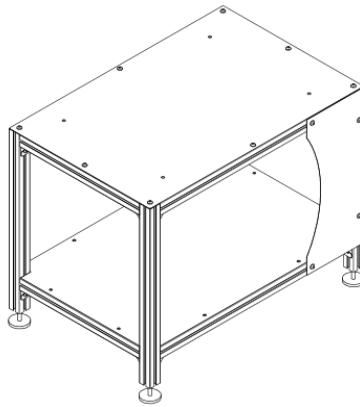


HPN Signature Series Stand Instructions Manual

Model: HPN-SIG-STAND, HPN-SIG-STAND-W
Picture:



Specifications:

TABLE SIZE	820x540x600mm
Packing Size	84x64x20cm
TABLE WEIGHT	25.66 KG
SUITABLE FOR	HPN™ Signature Series™ High Pressure Heat Press Machine

Parts List:

Short Metal Columns (landscape direction)	4 PCS
Long Metal Columns (landscape direction)	4 PCS
Stand Metal Columns (portrait direction)	4 PCS
Under Platen	1 PCS
Upper Platen	1 PCS
Back Platen	1 PCS
Side Platen	1 PCS

Drawing and Assembly Steps:

- Step 1: Attach two short metal columns to the stand metal columns first.
- Step 2: Lock those two short metal columns by screws.
- Step 3: Assemble the under platen. Lock it with screws into the two long metal columns (landscape direction) .
- Step 4: Assemble the Upper Platen.
- Step 5: Assemble the Side Platen.
- Step 6: Assemble the Back Platen.

